

Pegasus Keyboard Stand Alone Controller

PP96

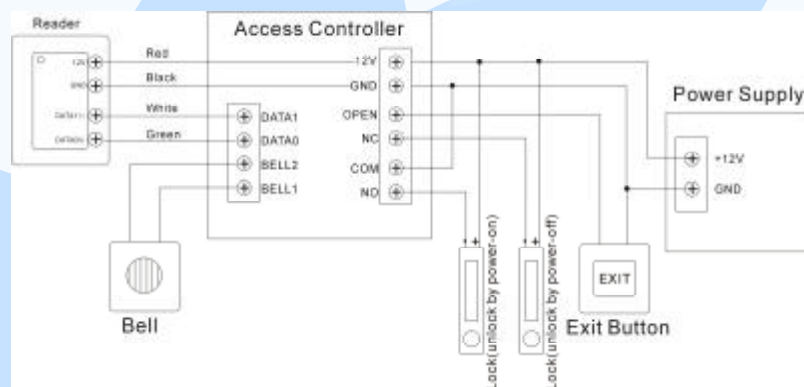


Profile:

PP96 is designed for electronic lock and security systems. PP96 is designed for electronic lock and security systems supporting card, password, card +password to open door; easy to install and operate and with very stable functions; also it is with super Anti-interference ability and self-diagnosis self-protection, store 2000 sets of users data, including recorders; all data will not be lost when broken power. PP96 supports bell output, used for office, home, rooms and public areas.

Product specification

| | |
|------------------|---------------------------------------|
| Work voltage | DC 12V±10% |
| Static current | <100mA |
| Story capacity | 1master password, 2000 set users data |
| Card style | EM or EM Compatible card |
| Reading range | 5-15CM |
| Relay current | 3A |
| Work temperature | -20°C to 60°C |
| Size | 112MM×84MM×22MM |



Terminal Wire Connector 1 Function

| | | |
|--------|-------|---|
| Red | 12V | 12Vdc Positive Regulated Power Input |
| Black | GND | Negative Regulated Power Input |
| Blue | NO | Door Strike Relay N/O |
| Orange | NC | Door Strike Relay N/C |
| Purple | COM | Door Strike Relay Com |
| Yellow | OPEN | To Door Remote Control Button Then Negative |
| Brown | BELL1 | Bell Push Button |
| Grey | BELL2 | Bell Push Button |
| Green | DATA0 | Wiegand input Data0 |
| White | DATA1 | Wiegand input Data1 |