

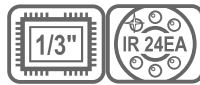
DIC-5224PM

◆ Picture

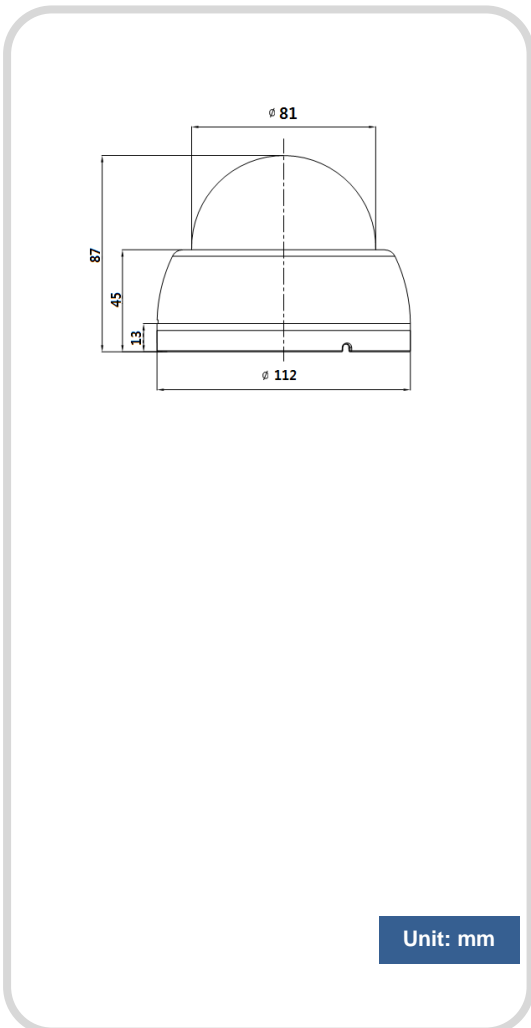


◆ Feature

- 1/3" Sony Super HAD CCD II
- High Resolution up to 650 TV Lines
- Visual Maximum distance 15m
- Fixed 3.6mm Lens
- High Effective IR 24EA Built-in
- Auto Digital Noise Reduction, Smart IR
- 3-Axis Mechanism



◆ Dimensions



Unit: mm

◆ Specifications

MODEL	DIC-5224PM	
Signal system	NTSC	PAL
Image Sensor	1/3" Sony super HAD CCD II	
Total pixels	811(H)X508(V)	795(H)X596(V)
Effective pixels	768(H)X494(V)	752(H)X582(V)
Resolution	650 TV Lines	
Scanning Frequency	15.734KHz(H), 60(V)	15.625KHz(H), 50(V)
Shutter Speed	1/60~1/100,000 sec	1/50~1/100,000 sec
Min. Illumination	Color : 0.02 Lux., (CDS ON : 0.00 Lux.)	
Scanning system	2:1 Interlace	
DNR	Auto	
White Balance	Auto	
Day & Night	Auto	
LED	IR LED 24 PCS (850nm)	
CDS	Built-in	
S/N Ratio	More than 50dB	
Video Output	Composite video output 75 ohm terminated	
Lens	3.6mm Fixed	
Sync. System	Internal	
Operating Humidity	30 % ~ 90 % RH	
Operating Temp.	- 10°C to 50°	
Dimension	87mm(H) X 81Ø	
Weight	About 600g	
Power Consumption	Less than 350mA	
Power Supply	DC 12 V 1A, 50/60Hz	