

IR Dome Camera

680 TVL, 24IR

DIC-7024PVM

◆ Picture

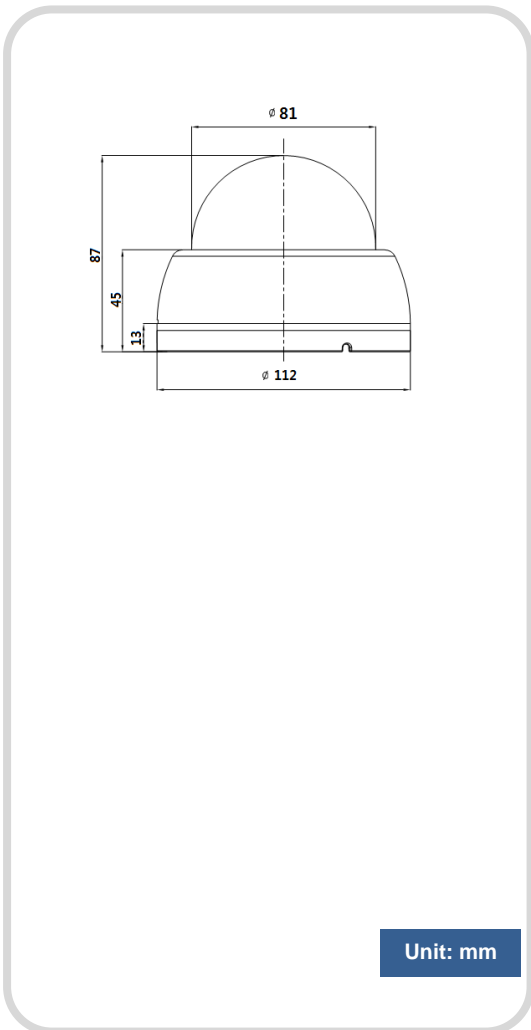


◆ Feature

- Sony 1/3" Ex-view 960H CCD II with Effio-E
- Color Mode: 680 TVL, B/W Mode: 700 TVL
- Color 0.1Lux, IR LEDs On: 0Lux (B/W)
- Max. IR LED Working Distance (15m)
- 2.8~12mm DC Auto Iris Lens
- NR (Digital Noise Reduction), ATR (Adaptive Tone Reproduction), Privacy Zone(8), Motion Detection(4)
- 3-Axis Gimble Mechanism, OSD (7 languages), Indoor type



◆ Dimensions



Unit: mm

◆ Specifications

MODEL	DIC-7024PVM	
Signal system	NTSC	PAL
Image Sensor	1/3" Sony 480K/570K Ex-view super HAD CCD II	
Total Pixels	1020(H)X508(V)	1020(H)X596(V)
Effective Pixels	976(H)X494(V)	976(H)X582(V)
Resolution	680 TV lines (B/W 700 TV Lines)	
Scanning frequency	15.734KHz(H), 60(V)	15.625KHz(H), 50(V)
Shutter speed	1/60~1/10,000 sec	1/50~1/10,000 sec
Minimum illumination	0.08Lux, IR LED On: 0Lux	
LED	IR LED 24 PCS (850nm)	
LED Working Distance	15m	
Mirror	On / Off	
White balance	ATW / PUSH / USER1 / USER2 / ANTI CR / MANUAL / PUSH LOCK	
NR	On(Y/C 0~15)	
Back Light	ATR / HLC / BLC / OFF	
Day & Night	Color / B/W / Auto	
Privacy zone	8 Zones	
Motion Detection	4 Zones	
AGC	Level setting	
Camera ID	On / Off	
Language	En/Ja/De/Fr/Port/Es/Ru	
S/N ratio	More than 50dB	
Video output	Composite video output 75Ω terminated	
Lens	2.8~12mm DC Auto Iris Lens	
Sync. system	Internal	
Operating humidity	30 % ~ 90 % RH	
Operating temperature	- 10°C to 50°	
Dimension	87mm(H) X 81Ø	
Weight	About 340g	
Power consumption	Max. 3.5W	
Power supply	DC 12 V(10.2V~14.5 V) Optional: Dual Voltage(DC12V, AC24V)	