

Vandal Dome Camera

650TVL, DPC

DCC-520DV

◆ Picture

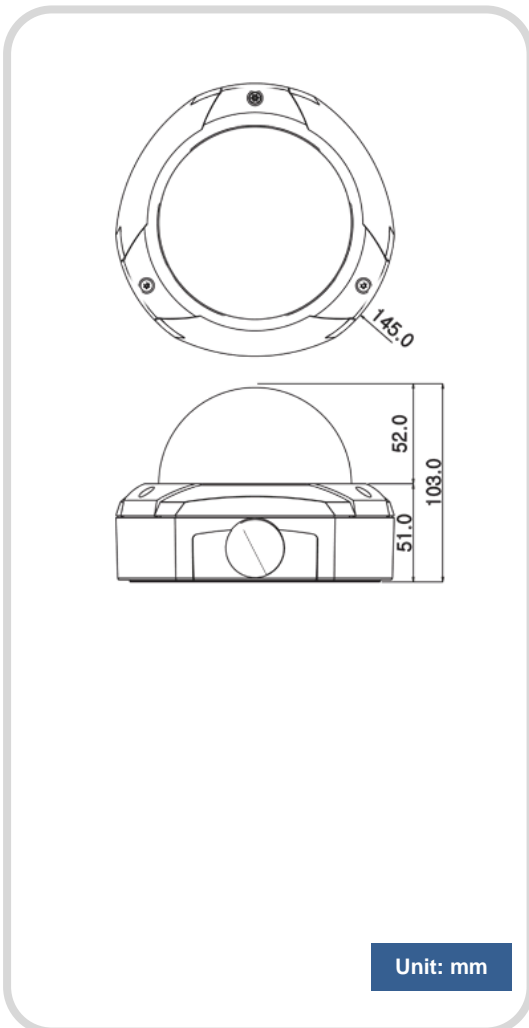


◆ Feature

- 410K Pixel Sony 1/3" CCD
- High Resolution of 650TV Lines
- Privacy Masking (8 Zones), Motion Detection (4 Zones)
- Day & Night, BLC, AGC, ATW, DWDR
- DPC (Dead Pixel Compensation)
- Built-in OSD (On Screen Display) Menu, Multi Language support
- Weather-Proof (IP66), 3Axis Rotation
- 4~9mm DC Auto Iris Lens



◆ Dimensions



◆ Specifications

MODEL	DCC-520DV	
Signal system	NTSC	PAL
Image sensor	1/3" Sony super HAD CCD II	
Total pixels	811(H)X508(V)	795(H)X596(V)
Effective pixels	768(H)X494(V)	752(H)X582(V)
Resolution	More than 650 TVL	
Scanning frequency	15.734KHz(H), 60Hz(V)	15.625KHz(H), 50Hz(V)
Shutter speed	1/60~1/100,000 sec	1/50~1/100,000 sec
Minimum illumination	0.1 Lux@F1.2	
DPC	On / Off	
Mirror	On / Off	
Shutter	Fixed / Manual / Flickerless	
White Balance	ATW / Manual / AWB / Fixed	
2DNR	On / Off	
Back Light	BLC / HLC / DWDR Day & Night with ICR(Optional)	
Day & Night	On / Off / Auto	
Privacy zones masking	8 Zones	
Motion	4 Zones	
AGC	On / Off	
Camera ID	On / Off	
Language	English / Japanese / Chinese	
S/N ratio	More than 52dB	
Video output	Composite video output 75Ω terminated	
Lens	4~9mm DC Auto Iris Lens	
Sync. system	Internal	
Operating humidity	30 % ~ 90 % RH	
Operating temperature	- 10°C to 50°C	
Dimension	φ100(Bubble) x 103(H)mm	
Weight	About 1.1Kg	
Power consumption	Max 2.5W	
Power supply	DC 12 V(10.2V~14.5 V) Dual Voltage(Optional): AC24/DC12V	