

# IR Bullet Camera

## 650TVL, 24IR

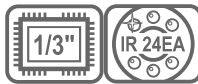
### DIC-5224BS

#### ◆ Picture

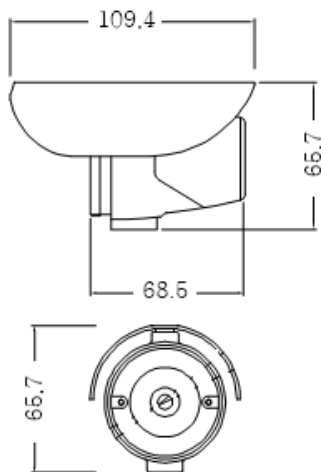


#### ◆ Feature

- 410K Pixel, 1/3" Sony Super HAD CCD II
- Resolution 650 TV Lines
- Visible Maximum Distance 15m
- Low 0.02 Lux. (CDS On B/W Mode : 0.00 Lux.)
- Fixed 3.6mm Lens
- High Effective IR 24 EA Built-in
- Weather-Proof (Outdoor usage)



#### ◆ Dimensions



Unit: mm

#### ◆ Specifications

MODEL	DIC-5224BS	
Signal system	NTSC	PAL
Image Sensor	1/3" Sony super HAD CCD II	
Total pixels	811(H)X508(V)	795(H)X596(V)
Effective pixels	768(H)X494(V)	752(H)X582(V)
Resolution	650TV lines	
Scanning Frequency	15.734KHz(H), 60(V)	15.625KHz(H), 50(V)
Shutter Speed	1/60~1/100,000 sec	1/50~1/100,000 sec
Min. Illumination	Color : 0.02 Lux., ( CDS ON : 0.00 Lux. )	
Scanning system	2:1 Interlace	
White Balance	Auto	
Day & Night	Auto	
DNR	Auto	
LED	IR LED 24 PCS (850nm)	
LED Angle	45°	
CDS	Built-in	
S/N Ratio	More than 48dB	
Video Output	Composite video output 75 ohm terminated	
Lens	3.6 mm Fixed F:1.2	
Sync. System	Internal	
Operating Humidity	30 % ~ 90 % RH	
Operating Temp.	- 10°C to 50°	
Dimension	65.7mm(W) X 68.5mm(L) X 109.4mm(S)	
Weight	About 400g	
Power Consumption	DC12V 300mA	
Power Supply	DC 11.5 V~12.5V 500 mA	