

# IR Bullet Camera

## 620TVL, 84R

### DIC-4082BH

#### ◆ Picture

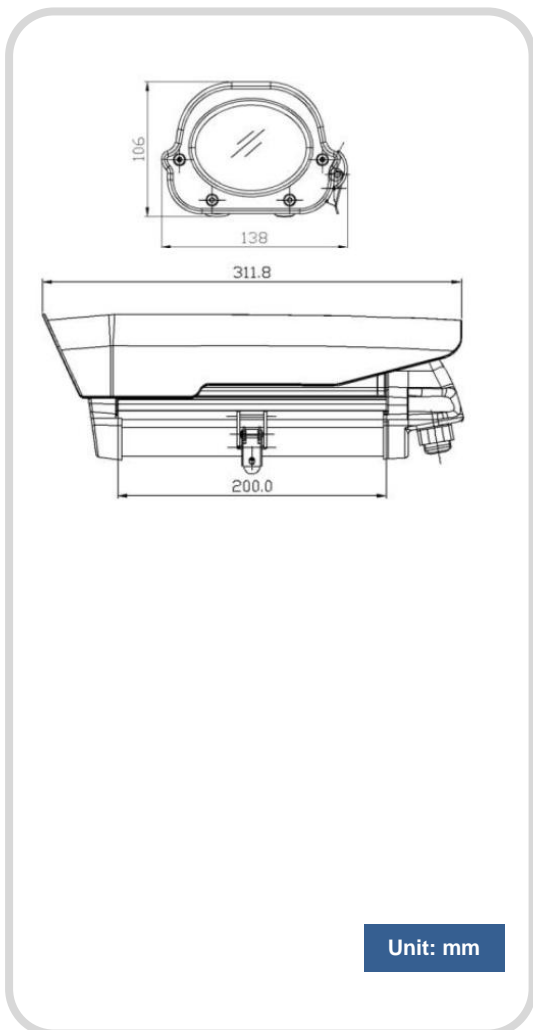


#### ◆ Feature

- 410K Pixel, Sony 1/3" Color CCD
- High Resolution (up to 620 HTVL)
- Visual Distance maximum up to 50m
- Low 0.1 Lux. (CDS On B/W Mode : 0.00 Lux.)
- Vari-Focal Zoom Lens 2.8~12mm (32X Digital Zoom)
- White Defect Restoration, Weather-proof (IP66), OSD
- Option Lens ( 6mm Fixed Lens, 6~50m DC Auto Iris Lens)



#### ◆ Dimensions



Unit: mm

#### ◆ Specifications

MODEL	DIC-4082BH	
Signal system	NTSC	PAL
Image Sensor	1/3" Sony super HAD CCD	
Effective Pixels	768(H)X494(V)	752(H)X582(V)
Resolution	More than 620 TV lines	
Scanning Frequency	15.734KHz(H), 60(V)	15.625KHz(H), 50(V)
Shutter Speed	1/60~1/100,000 sec	
Min. Illumination	Color: 0.1 Lux., (CDS ON: 0.00 Lux. )	
Scanning system	2:1 Interlace	
White Balance	ATW / AWB / AWC-Set / Manual / Indoor / Outdoor	
AGC	Auto	
BLC	BLC / HSBLC	
DNR	On / Off	
LED	82 IR LEDs (850nm)	
Visibility Range	Max. 50m	
S/N Ratio	More than 52dB	
Video Output	Composite video output 75 ohm terminated	
Lens	2.8~12 mm DC Auto iris lens	
Sync. System	Internal	
Operating Humidity	30 % ~ 90 % RH	
Operating Temp.	- 10°C to 50°	
Dimension	138mm(W) X 106mm(H) X 311(L)mm	
Weight	About 1.5kg	
Power Consumption	Max 10W	
Power Supply	DC 12 V, 1.5A, 50/60Hz Dual(AC24/DC12V): optional	