

IR Bullet Camera

600TVL, 54R

DIC-4040IR

◆ Picture

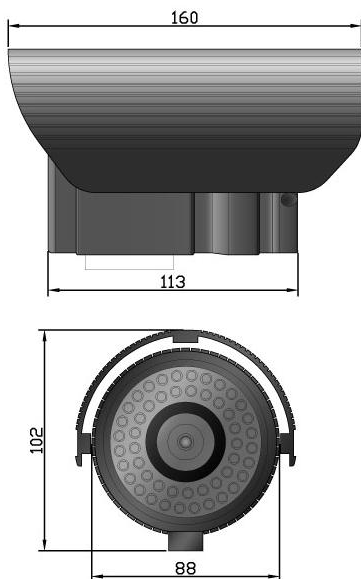


◆ Feature

- 410K Pixel, Sony 1/3" Color CCD II
- High Resolution (up to 620HTVL)
- Visual Distance maximum up to 50m
- Low 0.1 Lux. (CDS On B/W Mode : 0.00 Lux.)
- Vari-Focal Zoom Lens 4~9mm (DC Iris lens)
- High Effective IR 54 EA Built-in
- External Adjustment
- Weather-proof (Outdoor Usage)
- ICR Day & Night (Option)



◆ Dimensions



Unit: mm

◆ Specifications

MODEL	DIC-4040IR	
Signal system	NTSC	PAL
Image Sensor	1/3" Sony super HAD CCD	
Effective Pixels	768(H)X494(V)	752(H)X582(V)
Resolution	More than 600 TV lines	
Scanning Frequency	15.734KHz(H), 60(V)	15.625KHz(H), 50(V)
Shutter Speed	1/60~1/100,000 sec	1/50~1/100,000 sec
Min. Illumination	Color: 0.1 Lux., (CDS ON: 0.00 Lux.)	
Scanning system	2:1 Interlace	
LED	IR LED 48 PCS, 5 Ø (850nm), 30 degree	
Visibility Range	Indoor 55m / Outdoor 40m	
S/N Ratio	More than 52dB	
Video Output	Composite video output 75 ohm terminated	
Lens	4~9 mm DC Auto iris lens (Optional : 2.8~12mm)	
Sync. System	Internal	
Operating Humidity	30 % ~ 90 % RH	
Operating Temp.	- 10°C to 50°	
Dimension	104mm(W) X 102mm(H) X 160mm(L)	
Weight	About 1.7Kg	
Power Consumption	750mA	
Power Supply	DC 12 V 1.5A, 50/60Hz Optional(Dual Voltage DC12V/AC24V)	