

Speed Dome Camera

WDR, 650TVL, 28x

DSC-728Si

◆ Picture

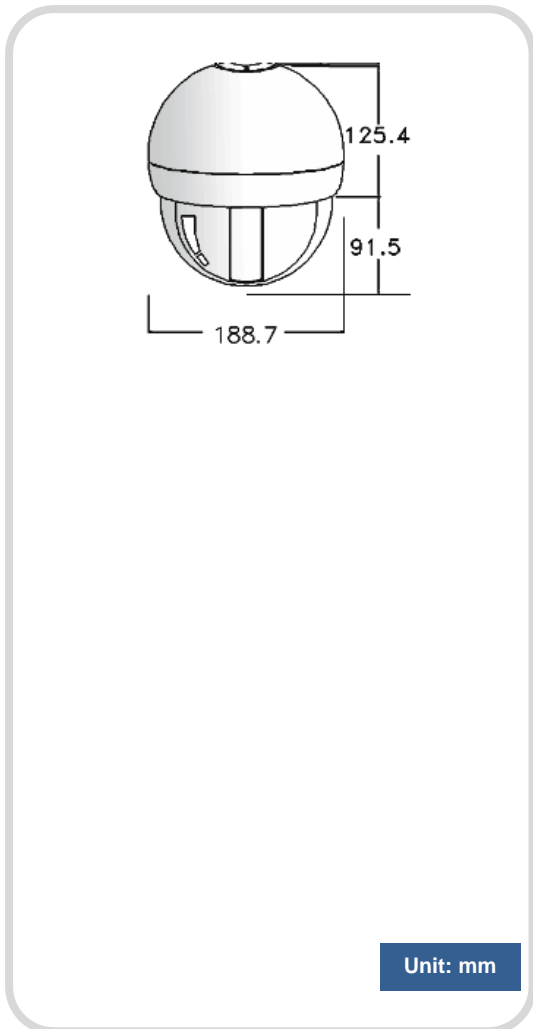


◆ Feature

- 610K/570K Pixel, 1/4" SONY Dual Scan CCD
- 28x AF Optical Zoom, 12x Digital Zoom
- Horizontal resolution: 650TVL (Color), 750TVL (B/W)
- Day & Night with ICR
- Min. illumination 0.00001Lux with Sens-up 128x
- Digital image stabilizer (EIS)
- Protection for Low Voltage, Indoor Type
- A variety of surveillance with Swing(2), Presets(250), Group(8), Tour, Trace, Spiral, Alarm (4In/1Out), Privacy Masking(8)
- Auto Bad Pixel Correction



◆ Dimensions



◆ Specifications

MODEL	DSC-728Si	
Signal system	NTSC	PAL
Image sensor	1/4" Sony double scan CCD II	
Total / Effective pixels	520K / 480K	610K / 570K
Horizontal resolution	Color : 650 TVL, B/W 750 TVL	
Lens	28x Optical zoom, f =3.5 ~98mm F 1.5(Wide End), F 3.7(Tele End)	
Digital zoom	12x (Total zoom 336x)	
Angle of view	H : 55.5° ~1.59° , V : 42.5°~1.19°	
Minimum illumination	0.00001Lux(with DSS, Sens-up 128x)	
Luminance S/N ratio	More than 52dB	
Video output	1 Vp-p Composite video output 75Ω	
Focus mode	Auto / Manual / Oneshot / Zoom Trig	
3D-DNR	Off / Low / Middle / High	
Back Light	HSBLC / BLC / WDR / Off	
Shutter speed	Auto, FLK, Off, 1/160 ~ 1/ 120000 sec	
Sharpness control	Level (0 ~100)	
White balance	Auto / ATW (1,700 °K ~ 11,000 °K) / One Push / Manual	
Stabilizer(EIS)	On/Off	
Alarm in/out	4 Inputs / 1 Relay Output	
Pan/Tilt angle	360° Endless / 92°	
Pan speed	0.1° ~ 240°/sec (64 Levels)	
Preset point	250 Presets	
Preset speed	Max 360°/sec (64 Levels)	
Privacy zones	8 Zones	
Operating temp.	- 40°C ~ 50°C (-14°F ~ 122°F)	
Communication	RS-485	
Operating Fan/Heater	Over than 45°C / Less than 5°C	
Operating humidity	Less than 90%RH	
Dimensions	188.7mm(Diameter) x 216.9(Height) mm	
Weight	About 3.1Kg (Without power supply)	
Construction	Aluminum body , Clear vandal bubble (PC)	
Power consumption	21W (Max)	
Power supply	AC24V, 60/50 Hz	