

Mini Speed Dome Camera

600TVL, 12x

DMS-200SE

◆ Picture

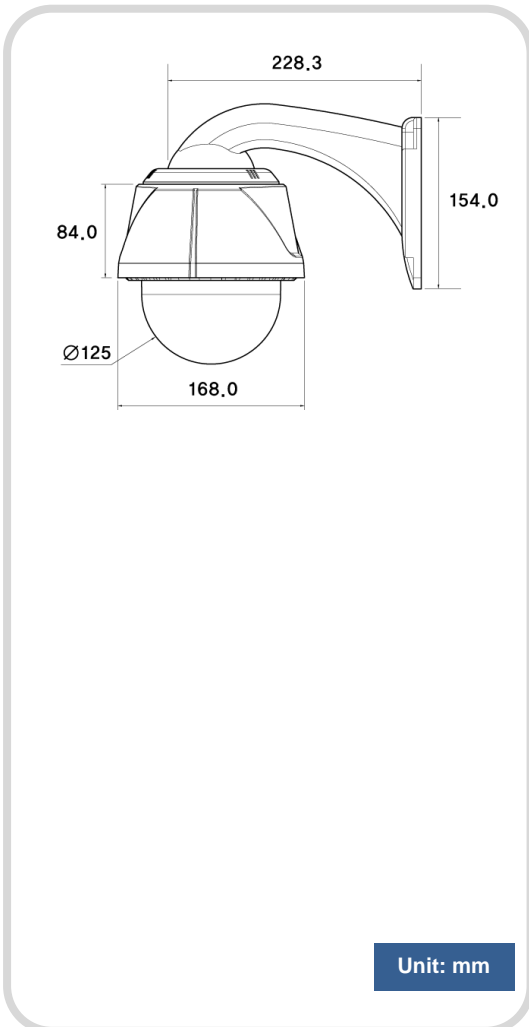


◆ Feature

- 410K Pixel, 1/4" Super HAD Sony CCD
- Built-In 12x Optical Auto Focus zoom lens
- Horizontal resolution of 600 TVL at color mode (700 TVL at B/W mode)
- Day & Night (ICR), Digital noise reduction (SSNR), Smart zoom
- 250 Preset Positions, Swing, Group, Spiral, Auto Flip, Alarm
- Privacy Zone Masking (8 Zones)
- Weather Proof(IP66), Fan/Heater



◆ Specifications



Unit: mm

◆ Dimensions

Model	DMS-200Se	
Signal system	NTSC	PAL
Image sensor	1/4" Super HAD Sony CCD	
Effective pixels	768(H) X 494(V),	752(H) X 582(V),
Horizontal resolution	More than 600 TVL, B/W 700 TVL	
Lens	12x Optical zoom, f=3.94 – 46mm, F1.67~1.88	
Digital zoom	16x (Total zoom 192x)	
Angle of view	H: 51.54° (Wide) x 4.49° (Tele), V: 39.28° (Wide) x 3.39° (Tele)	
Minimum illumination	0.7 Lux , 0.00003Lux(D&N), 50IRE Luminance	
Luminance S/N ratio	More than 50dB	
Video output	1 Vp-p Composite video output 75Ω	
Focus mode	Auto / Manual / Oneshot	
SSNR	Off / Low / Middle / High	
Back Light	Off /WDR/HLC/BLC	
Shutter speed	Auto / 1/128 ~ 1/120,000 sec	
Sharpness control	Level (0 – 10)	
Motion Detection	On/Off	
Alarm in/out	4 Inputs / 1 Relay Output	
Pan/Tilt angle	360° Endless / 92°	
Pan speed	0.1° ~ 240°/sec (64 Levels)	
Preset point	250 Presets	
Preset Speed	Max 360°/sec (64 Levels)	
Privacy zones masking	8 Zones	
Operating temperature	- 40°C ~ 50°C (-40°F ~ 122°F)	
Operating Fan/Heater	Over than 45°C / Less than 5°C	
Communication system	RS-485 / 422	
OSD	Built-in	
Operating humidity	Less than 90%RH	
Dimensions	168 (Diameter) x 175.6(Height) mm	
Weight	About 2.5Kg	
Construction	Aluminum body , Clear vandal bubble (PC)	
Power consumption	10W	
Power supply	AC24V 60/50 Hz	